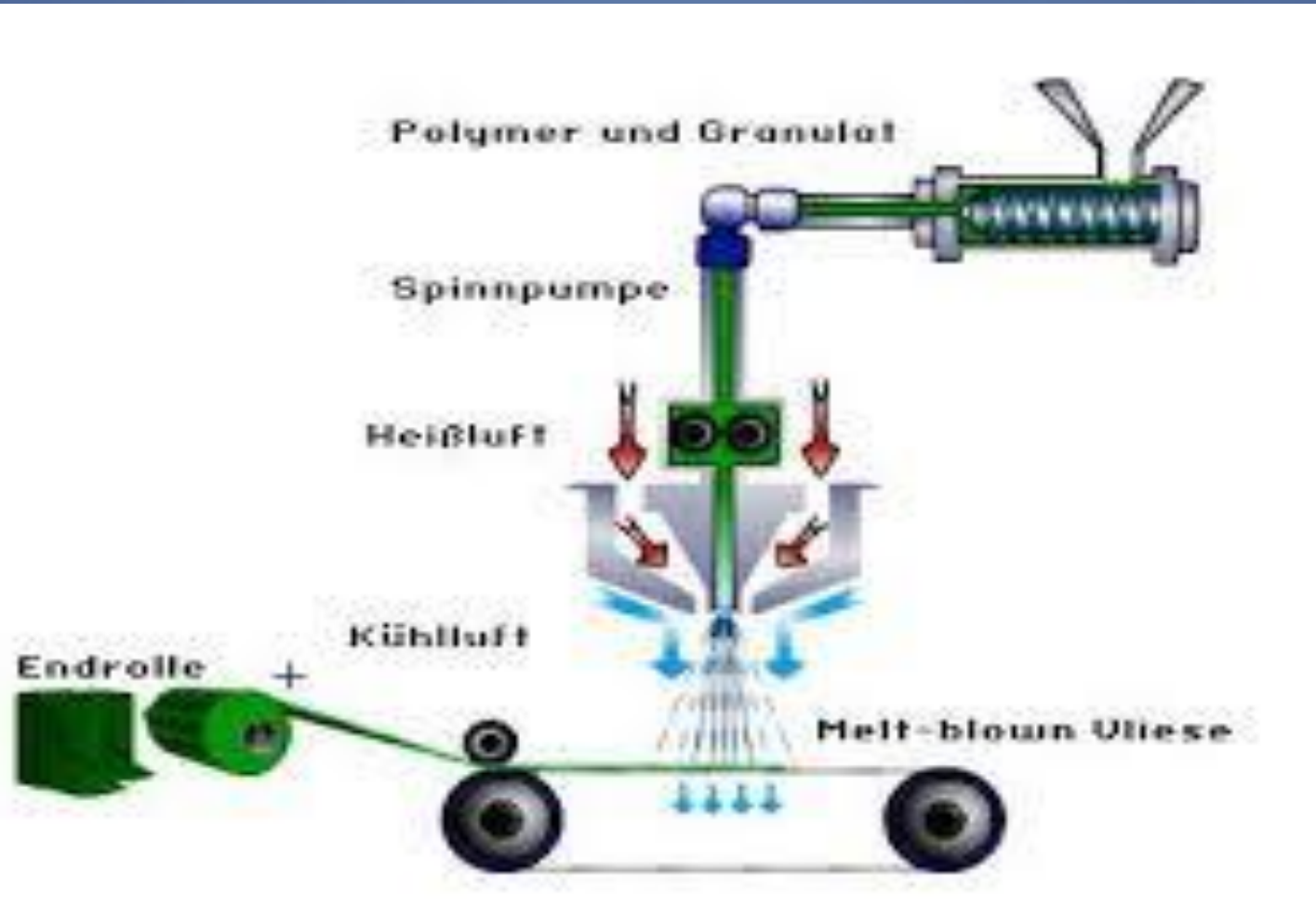


MELT BLOWN NON-WOVEN FABRIC

mail@positiveaggression.in



+VE
Kamal Shah

Melt blown is filtration media : liquid filtration and gaseous filtration, Cartridge filters, clean room filters.

9879552875
9624112091

Applications:

- Melt blown is filtration media : liquid filtration and gaseous filtration, Cartridge filters, clean room filters.
- Medical/surgical application
- Sanitary protection products feminine sanitary napkin and disposable adult incontinence absorbent products.
- Thermal insulation, disposable industrial apparel and substrate for synthetic leather.

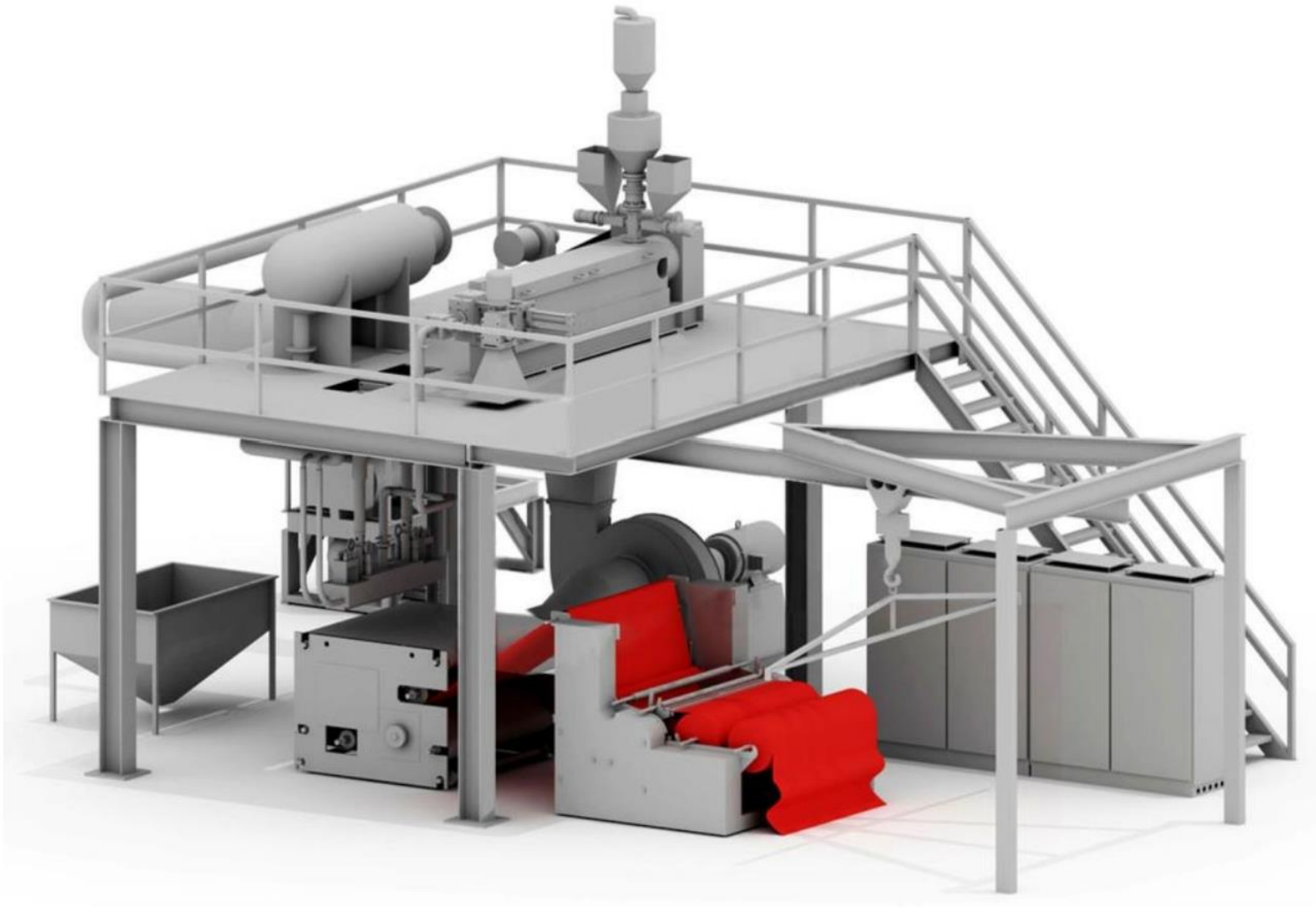
+VE
Kamal Shah

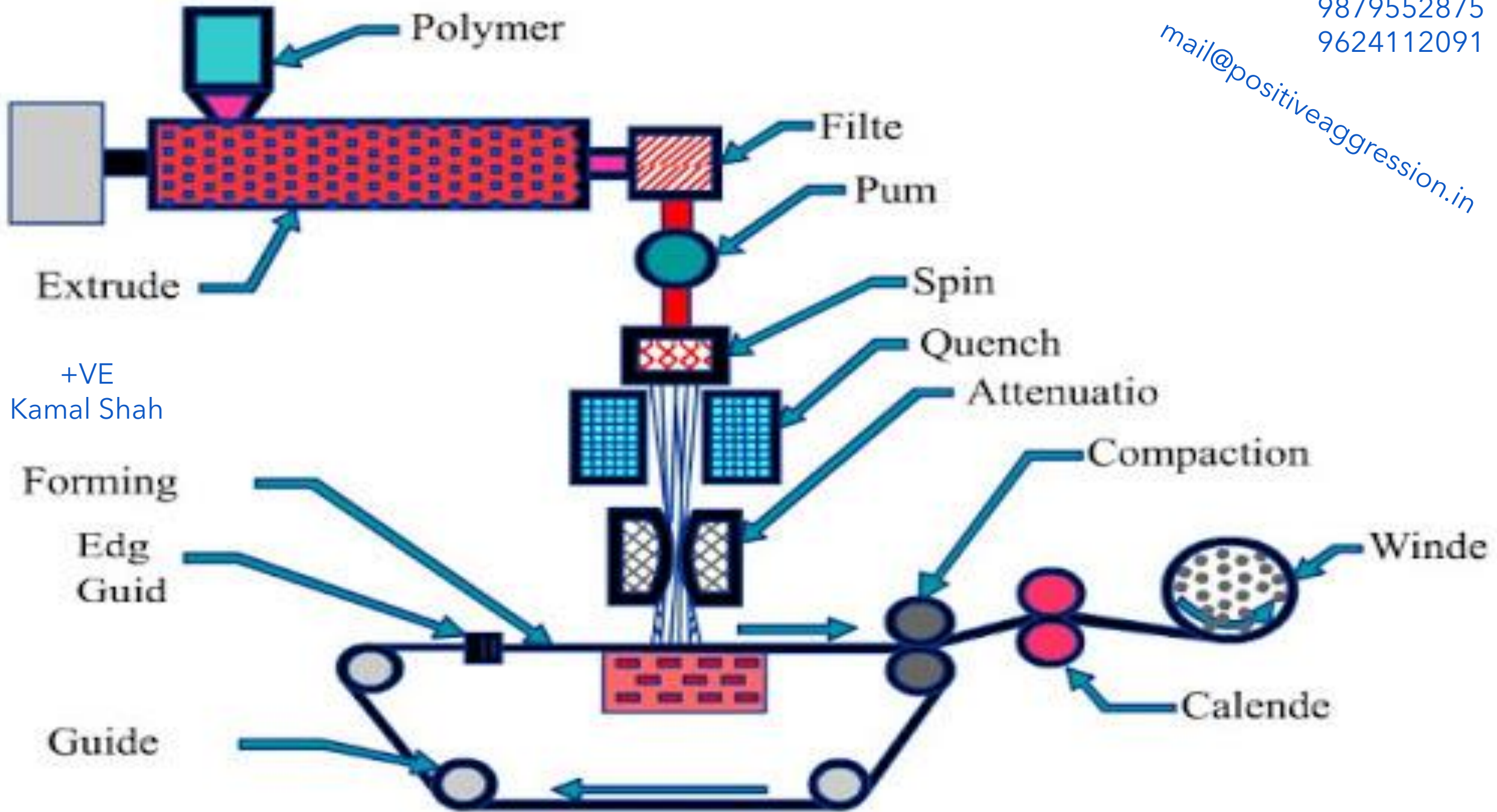


mail@positiveaggression.in

9879552875
9624112091

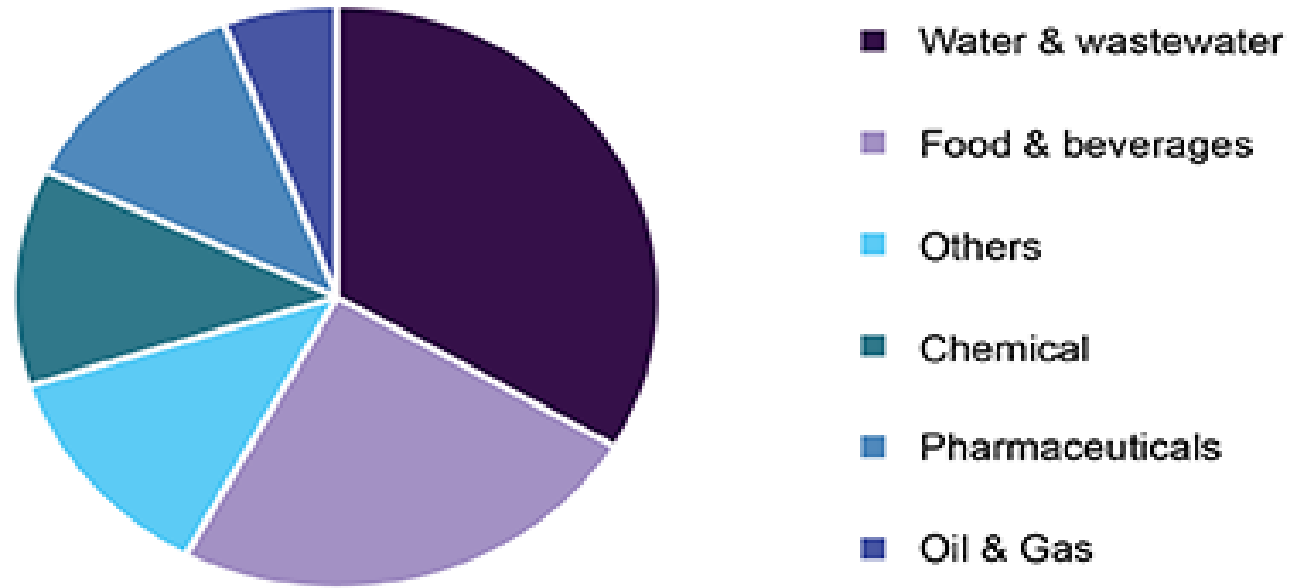
+VE
Kamal Shah





+VE
Kamal Shah

Global melt-blown polypropylene filters market share, by application, 2017 (%)



Source: www.grandviewresearch.com

+VE
Kamal Shah

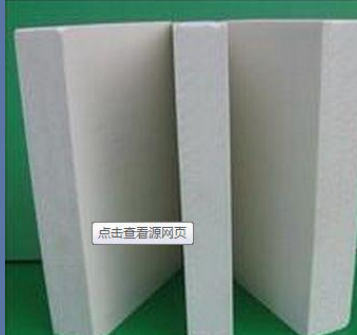
1.6 M wide Melt Blown Fabric Making Line

	USD FOB CHINA
Company one Chinese Die	650000
Company Two German Die	790000
Company Three Chinese Die	670000
Company four Chinese Die	925000

+VE
Kamal Shah



+ KS
Positive



点击查看源网页



www.positiveaggression.in



Kamal Shah
Ahmedabad
9624112091
positive@positiveaggression.in
mail@positiveaggression.in



KAMAL SHAH
positive@positiveaggression.in
0091 9879552875
0091 9624112091
Ahmedabad



Make Money Faster,
Safely,
Easily.
We also assist Imports.
Visit CHINA with us.



9624112091
mail@positiveaggression.in